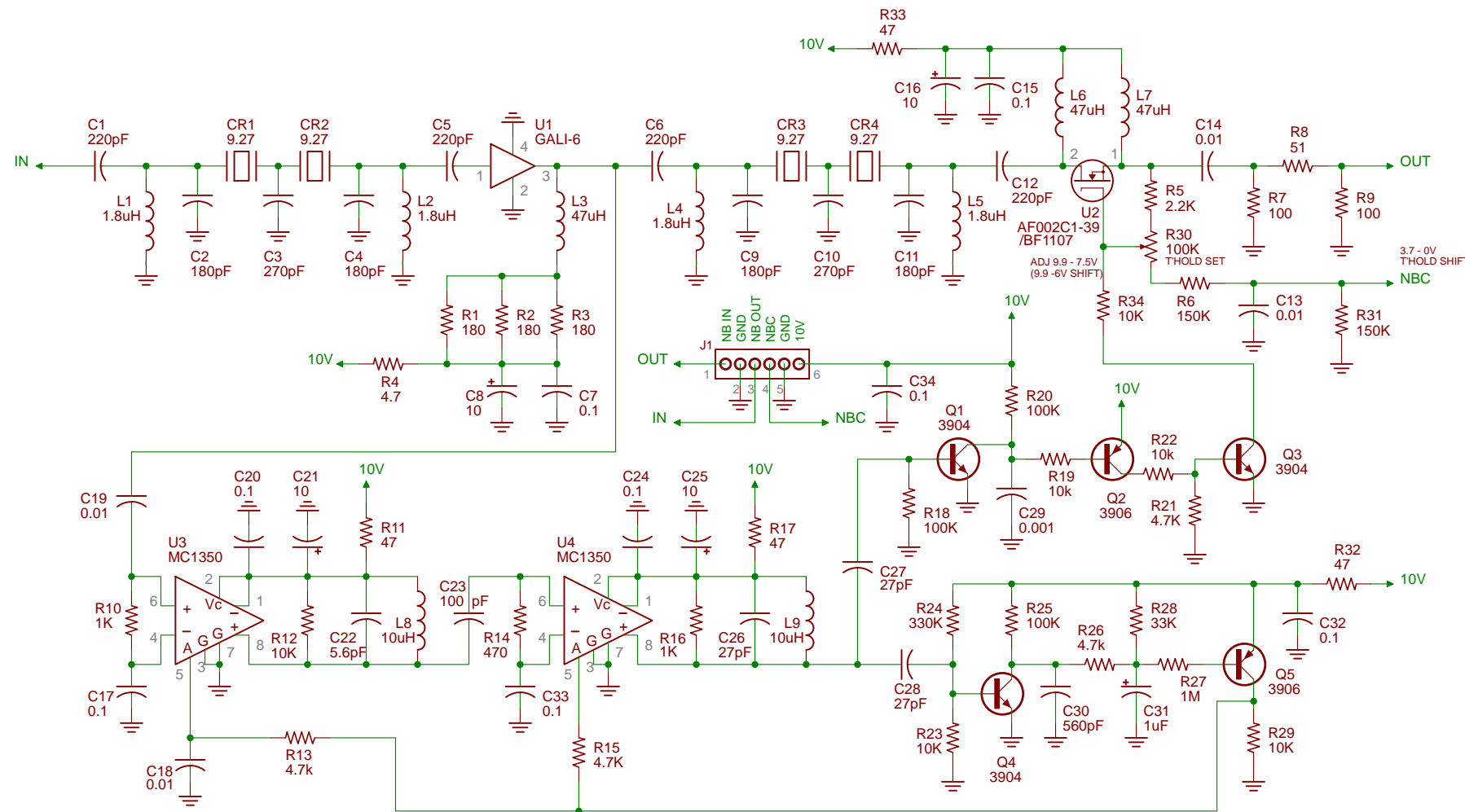


REVISION HISTORY		
REV	ECN NO.	DATE



REFERENCE DESIGNATORS NOT USED:			
U4, Q5, J1, R34, C34, L9, CR4			
REFERENCE DESIGNATORS LAST USED:			
U1	GALI-6	25564	C8, C16, C21, C25 10 uF 16V 1206 TANT. 23577
U2	AF002C1-39 / BF1107	25712	C31 1 uF 16V 1206 TANT. 23524
U3, U4	MC1350D	25381	ALL OTHER CAPACITORS 0603 CERAMIC
Q1, Q3, Q4	MMBT3904LT1G	25375	R30 100K RVM-06-HPO3 30858
Q2, Q5	MMBT3906LT1G	25376	ALL OTHER RESISTORS ARE 0603 1/10 WATT
L1, L2, L4, L5	1.8 uH 1206 NL3225	21225	J1 OUPIIN 2048-1X06G00A 35386
L3, L6, L7	47 uH 1206 NL3225	21242	CR1-CR4 CQ ZTA/ZTACS9.27MT 48271
L8, L9	10 uH 1206 NL3225	21234	BARE CIRCUIT BOARD 78364

**Ten-Tec**

TITLE: 599 Noise Blanker

Document Number: 82059

Date: 9/3/2010 11:40:01 AM

REU: A

Sheet: 1/1