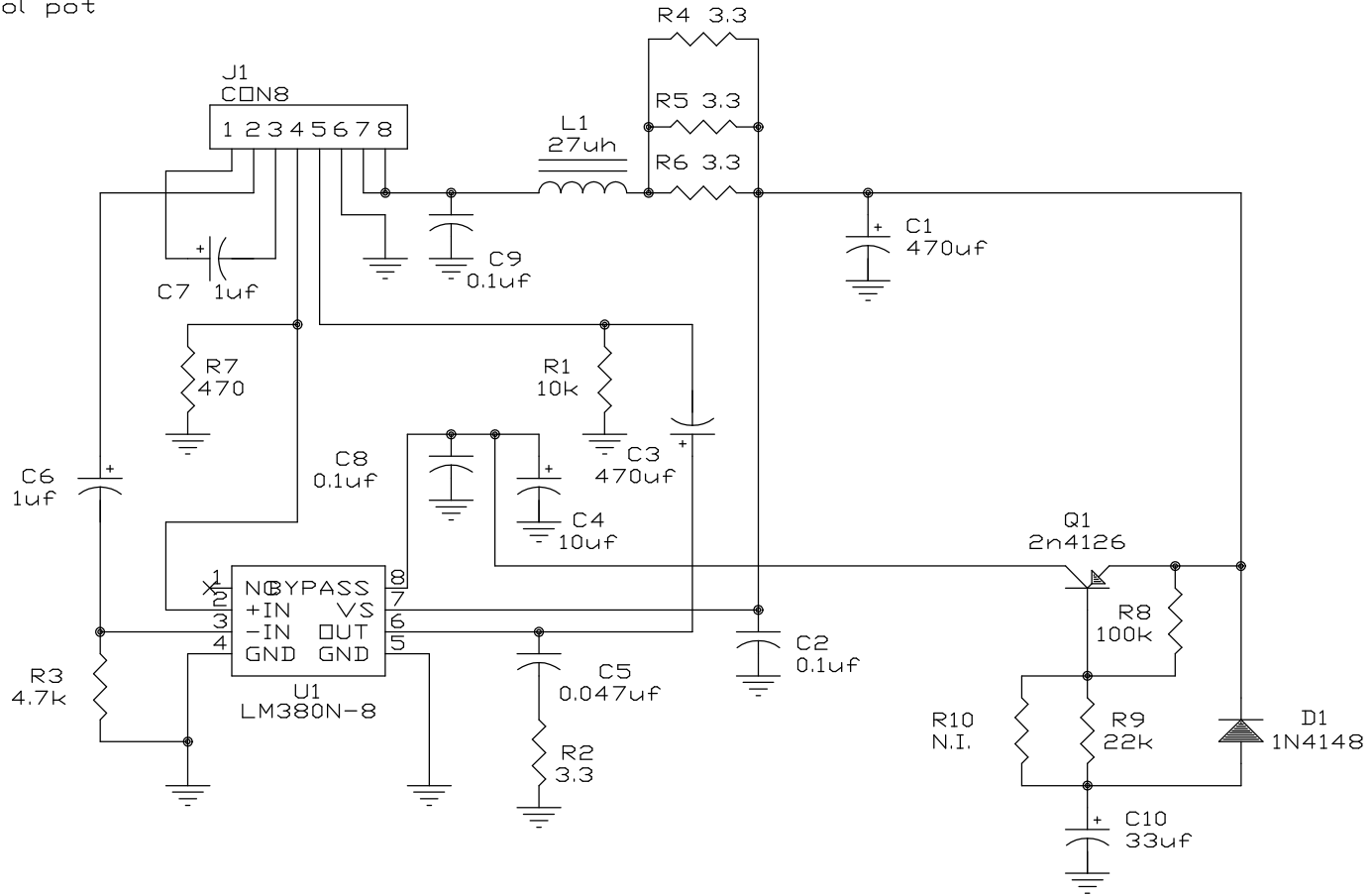


1. Main audio from SPU
2. Side tone in
3. To high side of vol pot
4. signal from wiper
5. Speaker out
6. Ground
7. +13.5 volts
8. +13.5 volts



Size	Document Number	REV
A		
Date:	August 31, 2010	Sheet 1 of 1